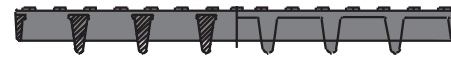
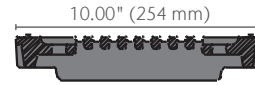
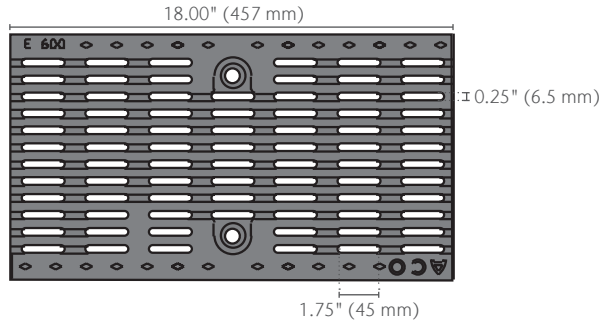


Scupper - Ductile Iron Longitudinal Grate (ADA) Spec Sheet



Ductile Iron Longitudinal Grate

part no. 93893



Product Name	Part No.	Length in (mm)	Width in (mm)	Weight lbs
Ductile Iron Longitudinal Grate (ADA)	93893	18.00 (457)	10.00 (254)	25.2
Replacement Stainless Steel hex head bolts (Qty 2)	93892	-	-	0.2

Specification Summary

General

The surface drainage system shall be ACO Infrastructure BridgeDrain Scupper complete with ductile iron slotted grate with bolt locking as manufactured by ACO, Inc. or similar approved

Installation

The trench drain system and grates shall be installed in accordance with the manufacturer's installation instructions and recommendations.

Materials

The covers shall be manufactured from ductile iron and have minimum properties as follows:

- Ductile iron to ASTM A 536-84 - Grade 65-45-12
- Intake area of 35.0 in² (225.8 cm²) per 18.00" grate

The overall width of 10.00" (254 mm) and overall length of 18.00" (457 mm). Slots measure 0.25" (6.5 mm) by 1.75" (45 mm).

ADA-compliant per The Americans with Disabilities Act of 2010, Section 302.3

ASME: A112.6.3 : Section 7.12
Heel-resistant Strainers & Grates
grate hole size ≤ 0.31" (8 mm)

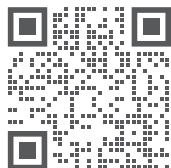
Australian Standard AS 3996 - 2006 Clause 3.3.6:
max slot length dependent on slot width for grates
that are deemed Bicycle Tire Penetration Resistant.

EN1433 Load Class E
134,885 lbs – 2,785 psi

ACO, Inc.

© January 2026 ACO, Inc.

All reasonable care has been taken in compiling the information in this document. All recommendations and suggestions on the use of ACO products are made without guarantee since the conditions of use are beyond the control of the company. It is the customer's responsibility to ensure that each product is fit for its intended purpose and that the actual conditions of use are suitable. ACO, Inc. reserves the right to change products and specifications without notice.



info@acousa.com
www.acousa.com

